

Specification

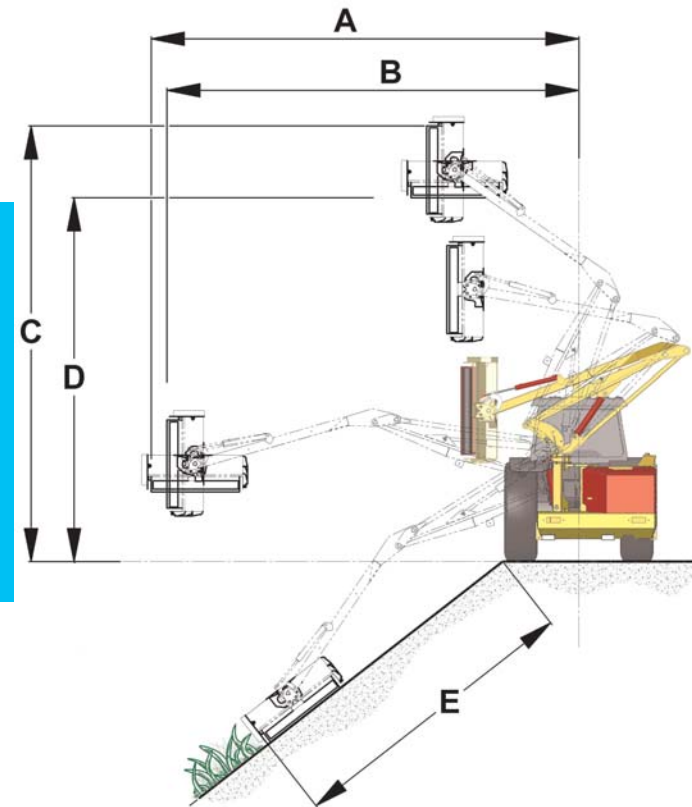


Model	455 RI	400 RI	395 RI	315 RI	FT 30	FT 25
Reach	4.6m	4.0m	3.95m	3.2m	3.1m	2.7m
Cutting Width	1.2m	1.0m	1.0m	0.85m	0.85m	0.85m
Minimum Tractor Power	55hp	35hp	30hp	25hp	20hp	15hp
Left or Right Cut	O	O	O	O	O	O
Parallel Arm Geometry	S	S				
Hydraulic Breakaway	S	S				
Flail Cutting Reversible by Remote Control	S	S	S	S	S	S
Fully Independent Hydraulics						
Cable Control	S	S	S	S	S	S
Floatation						
Head Floatation	S	S	S	S	S	S
Boom Floatation Accumulator	O	O				

O = Optional
S = Standard

Cutting Dimensions

Model	Side Reach		Vertical Reach		Downward Reach
	Head Horizontal	Head Vertical	Head Vertical	Head Horizontal	
	A	B	C	D	E
455 RI	4.6m	4.2m	5.8m	4.8m	2.9m
400 RI	4.0m	3.75m	4.35m	3.55m	2.1m
395 RI	3.95m	3.7m	4.3m	3.5m	2.05m
315 RI	3.2m	2.95m	3.5m	2.8m	1.3m
FT30	3.1m	2.8m	3.4m	2.1m	1.8m
FT25	2.7m	2.4m	2.9m	1.6m	1.45m



High Pivot Clear Reach Trimmer Model 455 - 4.6m reach

- Parallel boom movement
- Safety breakback
- Double Skin Cutter Head 1.2m with roller and wire trap
- Cable or electronic switch controls
- High main pivot for over hedge reach
- Three point linkage mounted
- Suitable for 55hp tractor



Small to Medium Tractor Trimmer Model 400 - 4.0m reach

- Tractor powered or fully independent hydraulics
- Parallel linkage boom movement
- Safety breakback
- 1m flail head
- Adjustable roller fitted to flail head
- Suitable for 35hp tractor
- Cable controls
- Three point linkage mounted
- Choice of flails



Small Tractor Trimmer Model 395 RI - 3.95m reach Model 315 RI - 3.2m reach

- Fully independent hydraulics
- Excellent geometry for close and distance work
- Safety breakback
- 85cm or 1m cutter heads
- Suitable for 25-40hp tractor
- Convenient fingertip cable controls
- Three point linkage mounted
- Choice of flails



Compact Tractor Trimmer Model FT30 - 3.1m reach Model FT25 - 2.7m reach

- Cutting head width 0.85m
- Three cable control levers for easy working
- Three point linkage mounted
- Adjustable steel roller fitted to flail head
- Safety breakaway system
- Independent hydraulics
- Transport wheels for storing after use

- Optional Extra**
- Cutter Bar 1.2m cut



Designed to perform - built to last

The policy of Twose is one of continuing development and we reserve the right to change, without notice, prices, weights, measurements and specification of all machines detailed or illustrated in this leaflet, without incurring any obligation to provide modifications on machines previously delivered. Orders are accepted subject to our standard conditions of sale.

Twose of Tiverton Ltd
6 Chinon Court, Lower Moor Way
Tiverton, Devon EX16 6SS, England
Tel: 01884 253691
Fax: 01884 255189
Email: sales@twose.com
www.twose.com

