

## Specification - TS Range

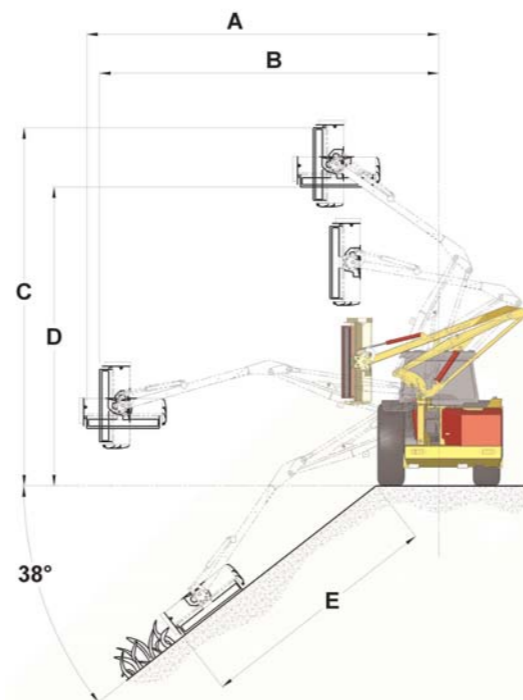


TS Model Range	TS 465				TS 525				TS 585			
	I	ILP	IE	IEP	I	ILP	IE	IEP	I	ILP	IE	IEP
Reach	4.65m	4.65m	4.65m	4.65m	5.25m	5.25m	5.25m	5.25m	5.85m	5.85m	5.85m	5.85m
Cutting Width	1.2m	1.2m	1.2m	1.2m	1.2m	1.2m	1.2m	1.2m	1.2m	1.2m	1.2m	1.2m
Minimum Tractor Power	60hp	60hp	60hp	60hp	65hp	65hp	65hp	65hp	85hp	85hp	85hp	85hp
Left or Right Cut	0	0	0	0	0	0	0	0	0	0	0	0
Parallel Arm Geometry	S	S	S	S	S	S	S	S	S	S	S	S
Powerslew & Hydraulic Breakaway	S	S	S	S	S	S	S	S	S	S	S	S
Sprung Top Link	S	S	S	S	S	S	S	S	S	S	S	S
Flail Cutting Reversible by Remote Control	S	S	S	S	S	S	S	S	S	S	S	S
<b>Fully Independent Hydraulics</b>												
Cable Control	S				S				S			
Low Pressure Hydraulic Joystick Control		S				S				S		
Electric Control			S				S				S	
Digital Proportional Joystick Control				S				S				S
<b>Floatation</b>												
Head Floatation	S	S	S	S	S	S	S	S	S	S	S	S
Boom Floatation Accumulator	0	0	0		0	0	0		0	0	0	
Boom Floatation Potentiometer				S				S				S
<b>Options</b>												
Rear Lights	0	0	0	0	0	0	0	0	0	0	0	0
Quick Hitch	0	0	0	0	0	0	0	0	0	0	0	0
High Power 68 hp	0	0	0	0	0	0	0	0	0	0	0	0

0 = Optional  
S = Standard

## Cutting Dimensions

Model	Side Reach		Vertical Reach		Downward Reach
	Head Horizontal	Head Vertical	Head Vertical	Head Horizontal	
	A	B	C	D	E
TS 465	4.65m	4.48m	5.1m	4.14m	2.6m
TS 525	5.25m	5.1m	5.6m	4.63m	3.2m
TS 585	5.85m	5.43m	6.6m	5.8m	3.8m



## TS Range Hedgetrimmers

**TS 465 - 4.65m reach**  
**TS 525 - 5.25m reach**  
**TS 585 - 5.85m reach**



**Designed to perform - built to last**

The policy of Twose is one of continuing development and we reserve the right to change, without notice, prices, weights, measurements and specification of all machines detailed or illustrated in this leaflet, without incurring any obligation to provide modifications on machines previously delivered. Orders are accepted subject to our standard conditions of sale.

Twose of Tiverton Ltd  
6 Chinon Court, Lower Moor Way  
Tiverton, Devon EX16 6SS, England  
Tel: 01884 253691  
Fax: 01884 255189  
Email: sales@twose.com  
www.twose.com

An Alamo Group Company





## Twose TS Range 465, 525 and 585 models

- 4.65m, 5.25m or 5.85m reach
- Choice of Controls
- Super Slim Tank - reduced overhung weight - more stable - better oil cooling
- 100° Power Slew
- Cutter head 250mm further forward for better vision
- 245° smooth, constant head angling
- Parallel boom geometry
- Pumps and valves protected behind bumper bar
- All pipes inside boom elements



- Tapered boom for extra strength
- Cast iron pump & motor
- 50hp hydraulic system
- 200 litre hydraulic oil tank
- Fully independent hydraulics
- Flail cutting direction reversible
- Right or left hand cut
- Safety breakback
- Three point linkage mounted
- Stabiliser kit as standard
- Folds neatly behind tractor for transport
- Sturdy parking stands

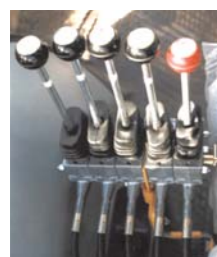
- Optional:**
- Lighting Kit



## Double Skin Cutter Head

Developed and built to meet the demands of prolonged use, the Double Skin Cutter Head offers many innovative features and practical advantages over traditional cutting heads.

- 1.2m (48") Double skin cutter head
- Double Skin top Cover gives torsional rigidity and improved wear resistance.
  - Drive line contained within the width of skid
    - Simple belt adjustment
- Quick fit heavy duty rotor takes 5 types of flail
  - Heavy braced end panels
  - Adjustable heavy duty roller
- Skid wrapped well around panel for greater protection
  - Nose guard with barbed wire trap & heavy duty curtain
  - Choice of flails



Cable Control



Low Pressure Hydraulic Proportional Joystick Control



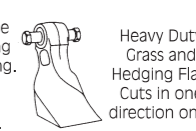
Electronic Switch Control



Electronic Joystick Control with Proportional Valves



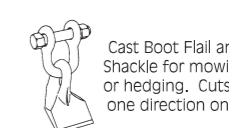
Heavy Duty Reversible Lump Flail for hedging and occasional mowing. This flail is fitted as standard unless otherwise specified.



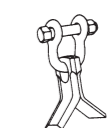
Heavy Duty Grass and Hedging Flail. Cuts in one direction only.



Back to Back Reversible Flails for grass cutting.



Cast Boot Flail and Shackle for mowing or hedging. Cuts in one direction only.



Back to Back Reversible Flails and Shackle for grass cutting.