

6L SERIES

Developed to replace the popular Landpower range, the 6L Series has been launched on the E valve, 4.5-liter Tier 4 Interim engines with SCR system that delivers 143, 163 and 176 hp. The tilt-up

hood opens wide to provide easy access to the engine compartment to open fully from a single latch to provide easy cleaning in dusty conditions. The transmission can be optionally equipped with a creep gearbox.

The L-Series offers electronically-controlled rear hitch with a maximum lift capacity of 8400 kg. To

further increase operator comfort, a new suspended axle is optionally available. The 6L Series offers a fully restyled cab with new colours for tractors of the latest generation



TIER 4 INTERIM FPT-NEF ENGINES WITH SCR SYSTEM

The three models in the 6L T4i range are powered by the 4.5-liter, 4-cylinder turbo FPT-NEF engines with 16-valve cylinder head and common rail injection system that deliver from 143 to 176 hp. The optimised electronic fuel injection and the enhanced combustion efficiency, combined with the SCR system, allow these engines to deliver exceptional power and torque backup, while reducing fuel consumption. In addition, a 270-liter fuel tank and a 38-liter AdBlue tank allow for many hours of fieldwork without refuelling. The tilt-up hood opens wide to provide easy access to the engine compartment for service and maintenance and the coolers located in front of the radiator open fully from a single latch to provide easy cleaning in dusty conditions.

	6-145 L	6-160 L	6-175 L
TIER 4 interim / STAGE 3B	NEF 4 CYL CR TAA	NEF 4 CYL CR TAA	NEF 4 CYL CR TAA
MAX ENGINE POWER AT 1900 RPM (ISO TR 14396 ECE R120) HP/KW	143 / 105	163 / 120	176 / 129
RATED ENGINE POWER AT 2200 RPM (ISO TR 14396 ECE R120) HP/KW	131 / 96	150 / 110	170 / 125
MAX. TORQUE AT 1500 RPM (ISO TR 14396 ECE R120) LB (NM)	590	676	680
BORE / STROKE IN (MM)	104 / 132	104 / 132	104 / 132
DISPLACEMENT CU. IN. (CM3) / NO. OF CYLINDERS / NO. OF VALVES	4500 / 4 / 16	4500 / 4 / 16	4500 / 4 / 16
EXHAUST SYSTEM S.C.R.	•	•	•
CAPACITY ADBLUE GAL. (LT)	38	38	38
FUEL TANK CAPACITY GAL. (LT)	270	270	270



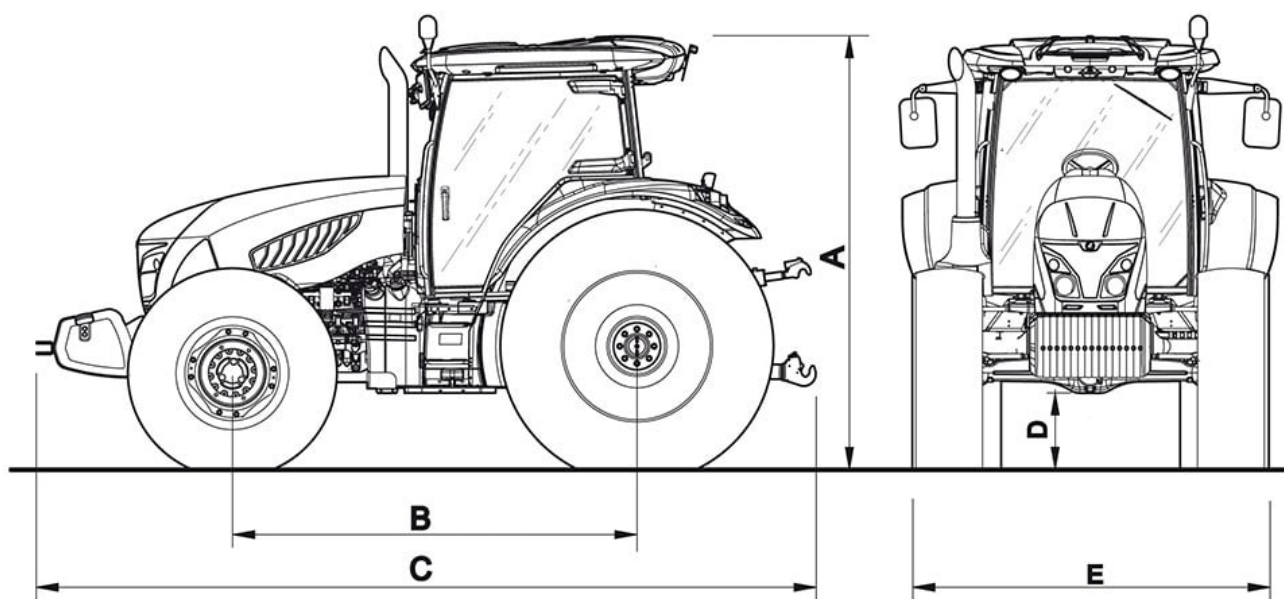
TWO TRANSMISSIONS FOR MAXIMUM FLEXIBILITY: SPEED SIX AND T-TRONICTRUE

The Speed Six transmission features six speeds in three ranges providing a total of 18 forward and 18 reverse speeds with synchro shuttle. Optionally, the basic gearbox can be combined with a T-Tronic transmission that can be shifted on the go using the green buttons integrated into the gear lever and triples the number of gears, providing a total of 54 forward and 18 reverse speeds. The De-clutch control (orange button on the gear lever) and the shuttle control lever adjacent to the steering wheel allow the operator to change gear and shift from forward to reverse without using the clutch pedal. A creep transmission is available as an option for both configurations.



NEW MASTER CLASS CAB FOR UNMATCHED VISIBILITY AND COMFOR

Featuring a four-post design with rear hinged doors, the new Master Class cab offers ease of access to the driver's seat and unmatched all round visibility. The interior has been refreshed with a sleek, modern design and a new colour scheme. The driving position features an air suspension seat with multiple adjustments, a telescopic tilt-adjustable steering column and ergonomically- designed intuitive-to-use controls for ease of operation. Perfectly sound-proofed and equipped with a highly-efficient air conditioning system, the cab of the 6L tractor offers a comfortable environment for long hours in the field. A transparent roof hatch provides extra visibility for loader operations. Ten powerful halogen lights offer excellent illumination for night work.



DIMENSIONS AND WEIGHTS

	6-145L	6-160L	6-175L
FRONT TYRES	480/65R28	480/65R28	480/65R28
REAR TYRES	600/65R38	600/65R38	600/65R38
HEIGHT OVER CAB MM	2890	2890	2890
WHEELBASE 4RM MM	2724	2734	2734
MAX. LENGTH (WITH BALLAST WEIGHTS) MM	5270	5270	5270
GROUND CLEARANCE MM	500	500	500
MIN/MAX WIDTH	2220/2520	2220/2520	2220/2520
TOTAL WEIGHT (WITHOUT BALLAST WEIGHTS) LB KG	6000	6150	6150